

FISHER®

FISHER MANUFACTURING COMPANY TOLL FREE: 800-421-6162 - FAX: 800-832-8238
customer@fisherfaucets.com - www.fisherfaucets.com

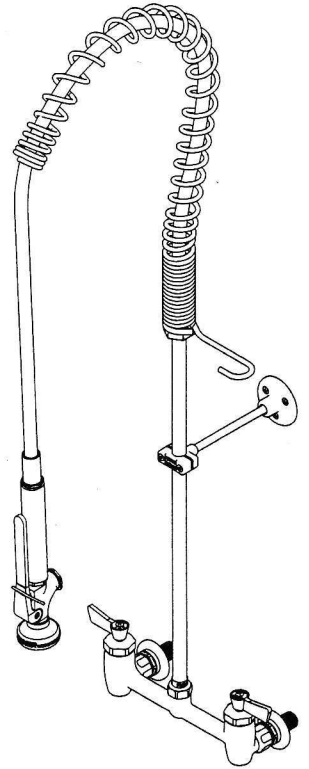
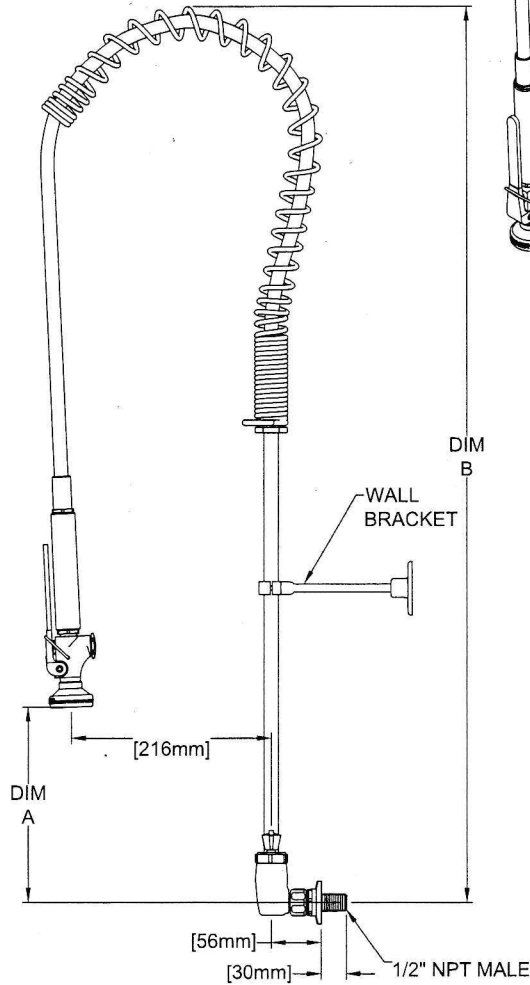
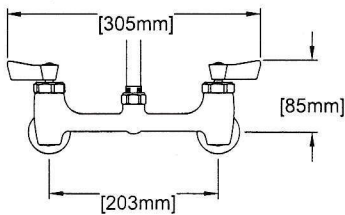
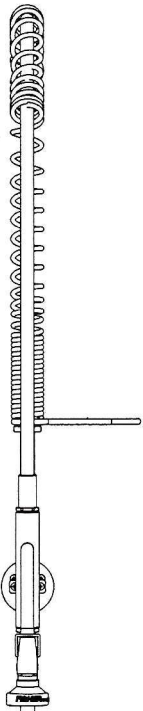
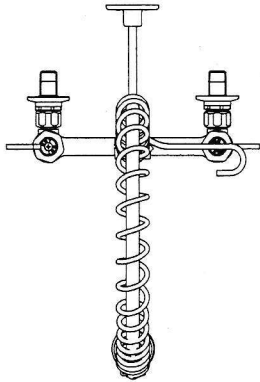
PRODUCT NAME:

ウォール・プレリンスユニット

Customer/Wholesaler:	Date:	Job Name:	Model Specified: 22100	Quantity:
Contractor:	Architect/Engineer:		22100-300/400	

MODEL	DESCRIPTION	DIM A	DIM B
22100	PRE-RINSE UNIT 21R	220	920
22100-400	PRE-RINSE UNIT 16R	80	780
22100-300	PRE-RINSE UNIT 12R	▲20	680

* スプリングにより、上記寸法には多少の誤差が生じます。



PRODUCT COMPLIANCE:
ASME A112.18.1 / CSA B125.1
NSF 61 - Section 9
NSF 372 (Low Lead Content)

Drawn: LC	Checked: EM	Approved: LC	Date: 03/01/24	Sheet:
-----------	-------------	--------------	----------------	--------

SPEC. PICB-SP-8BSLL