

FISHER

FISHER MANUFACTURING COMPANY TOLL FREE: 800-421-6162 - FAX: 800-832-8238
customer@fisherfaucets.com - www.fisherfaucets.com

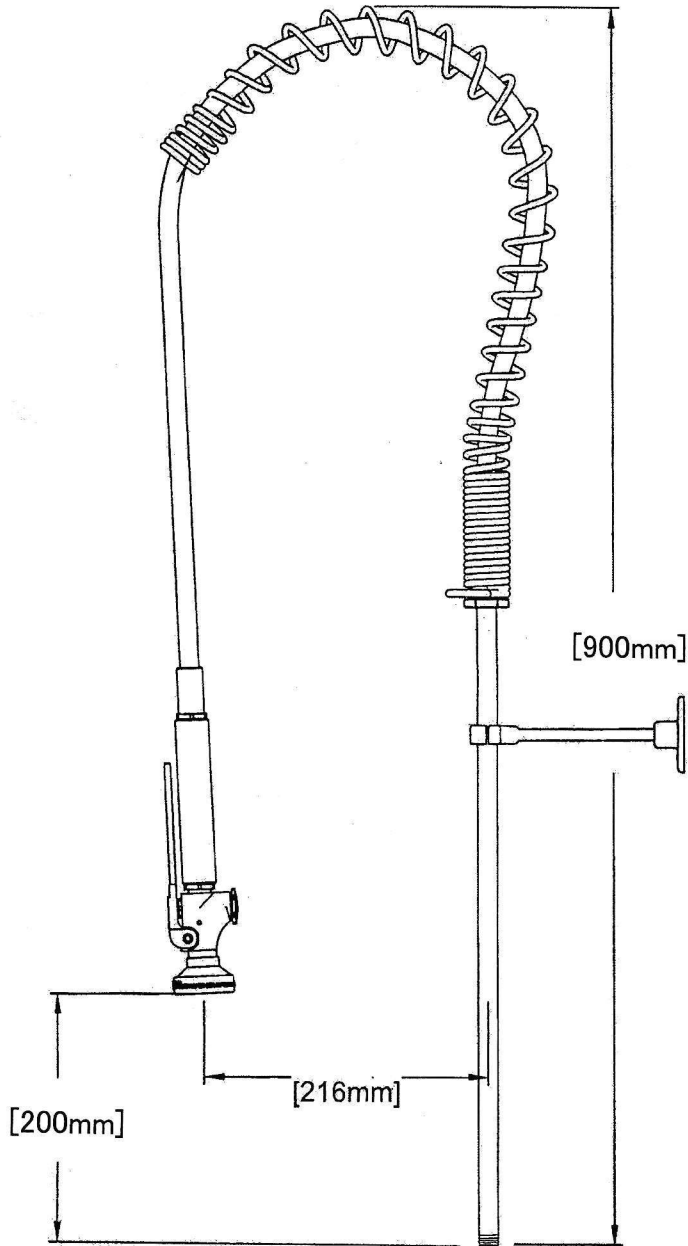
PRODUCT NAME:

プレリンス サブ・アッセンブリー

Customer/Wholesaler:	Date:	Job Name:	Model Specified: 2928-WB	Quantity:
----------------------	-------	-----------	---------------------------------	-----------

Contractor:	Architect/Engineer:
-------------	---------------------

SPEC. HTCBSVEIA-8AWLL



PRODUCT COMPLIANCE:
ASME A112.18.1 / CSA B125.1
NSF 61 - Section 9
NSF 372 (Low Lead Content)

Drawn: LC	Checked: EM	Approved: LC	Date: 04/19/24	Sheet:
-----------	-------------	--------------	----------------	--------