

# FISHER®

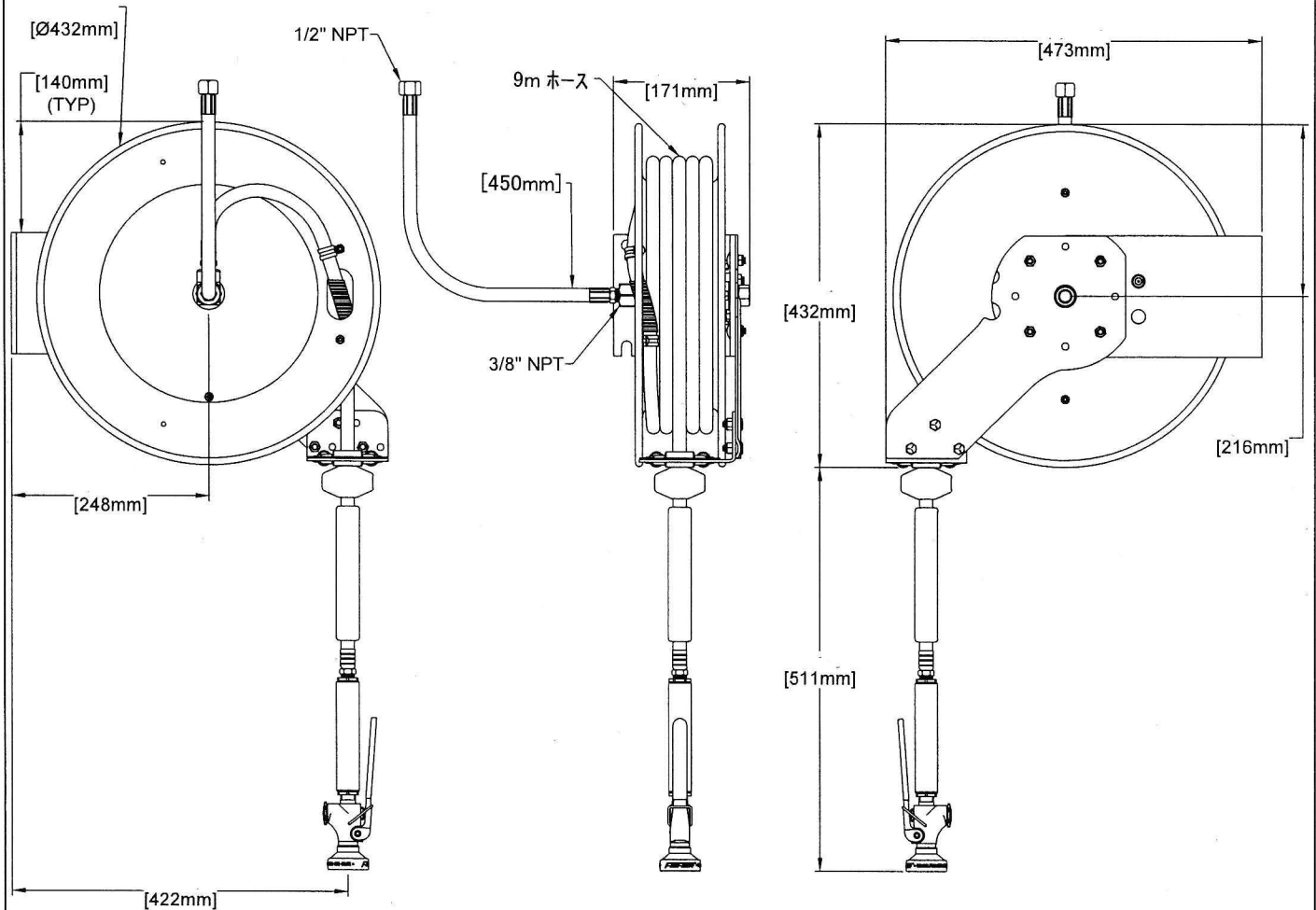
FISHER MANUFACTURING COMPANY TOLL FREE: 800-421-6162 - FAX: 800-832-8238  
 customer@fisherfaucets.com - www.fisherfaucets.com

PRODUCT NAME:

REEL RINSE WHITE EXP WALL 30 FT SV

Customer/Wholesaler:	Date:	Job Name:	Model Specified: <b>29802</b>	Quantity:
Contractor:		Architect/Engineer:		

SPEC. RRCL-CEU-XX



PRODUCT SPECIFICATIONS: CAFE REEL RINSE, EXPOSED WHITE POWDER COATED STEEL, WALL MOUNT, 30' HOSE X 3/8" ID, 2.65 GPM @ 80 PSI SPRAY VALVE, 18" INLET HOSE X 3/8" ID, 1/2" NPT FEMALE INLET

PRODUCT COMPLIANCE:  
 NSF 61 EXEMPT:  
 (NON-POTABLE)  
 2019 DOE PRSV:  
 NON-COMPLIANT

Drawn: LC	Checked: EM	Approved: LC	Date: 05/19/25	Sheet: 1 of 2
-----------	-------------	--------------	----------------	---------------