

APPLICATION:

PRODUCT NAME:
REEL RINSE UNDER COUNTER EXP

JOB NAME:

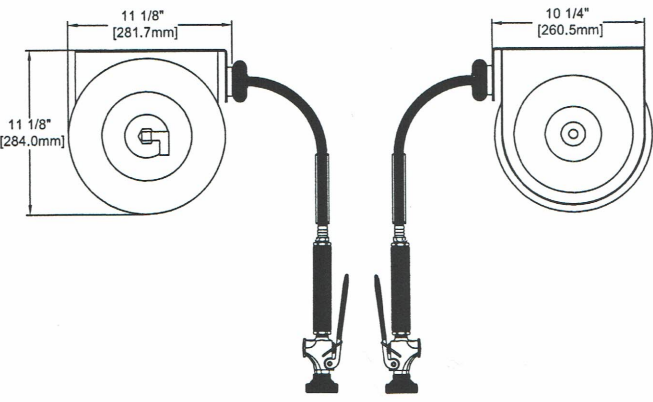
MODEL:

QUANTITY:

ITEM NO.:

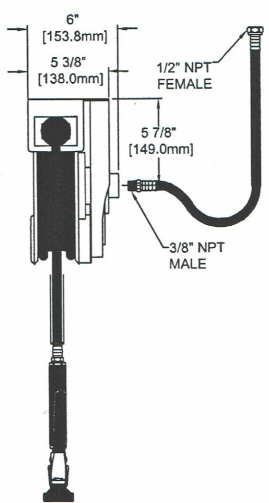
29841 REEL RINSE UNDER COUNTER EXP

OPTIONS OR MODIFICATIONS:
 OTHER _____



FEATURES:

- REEL**
- * SELF LOCKING
 - * EXPOSED
- HOSE**
- * 20' LENGTH REEL HOSE
 - * 18" LENGTH INLET HOSE
 - * 3-PLY FIBER REINFORCED RUBBER HOSE
 - * ADJUSTABLE BALL STOP
- UTILITY SPRAY VALVE**
- * NOZZLE THREADED INTO VALVE
 - * 2.65 GPM AT 80 PSI
 - * SHOWER SPRAY PATTERN

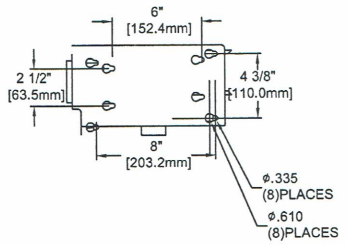


- SYSTEM LIMITS**
- * TEMP: 40°F MIN. TO 160°F MAX.
 - * PRESSURE 200 PSI MAX. STATIC

SHIPPING WEIGHT

- * 13.0 LBS

ROUGH-IN: SEE MOUNTING PLATE BELOW



FISHER MANUFACTURING COMPANY
TOLL FREE: 800-421-6162 - FAX: 800-832-8238
information@fisher-mfg.com - www.fisher-mfg.com