

# FISHER<sup>®</sup>

FISHER MANUFACTURING COMPANY TOLL FREE: 800-421-6162 - FAX: 800-832-8238  
customer@fisherfaucets.com - www.fisherfaucets.com

PRODUCT NAME:

デッキ・グラスフィラー

Customer/Wholesaler:

Date:

Job Name:

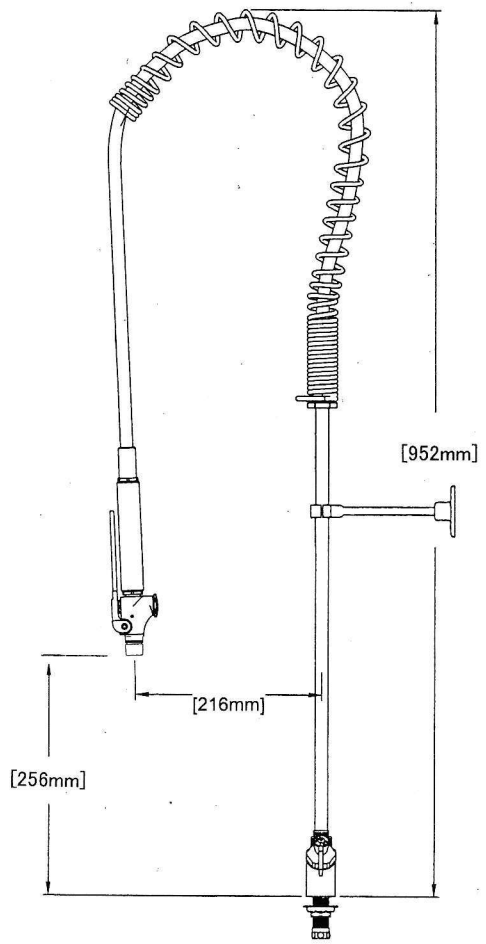
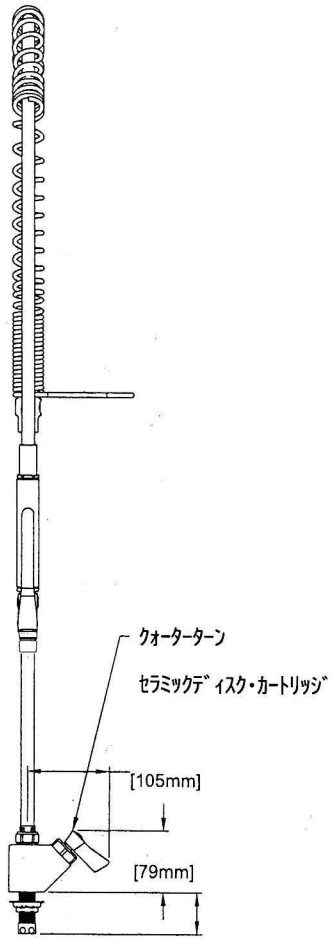
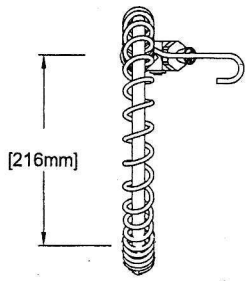
Model Specified: **11170**

Quantity:

Contractor:

Architect/Engineer:

SPEC: PRCB-SP-SDTL



PRODUCT COMPLIANCE:  
ASME A112.18.1 / CSA B125.1  
NSF 61 - Section 9  
NSF 372 (Low Lead Content)  
2019 DOE PRSV - Class II

Drawn: LC

Checked: EM

Approved: LC

Date: 02/15/24

Sheet: