

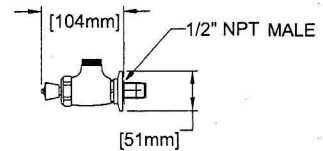
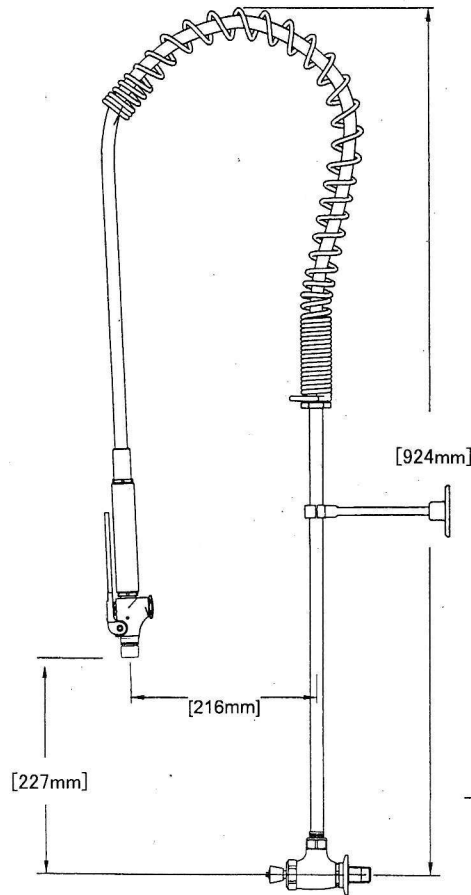
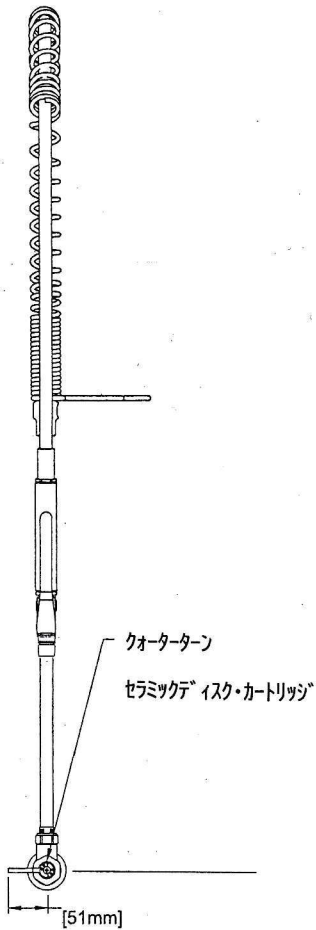
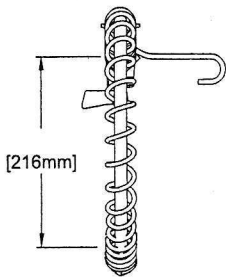
FISHER[®]

FISHER MANUFACTURING COMPANY TOLL FREE: 800-421-6162 - FAX: 800-832-8238
customer@fisherfaucets.com - www.fisherfaucets.com

PRODUCT NAME:

ウォール・グラスファイラー

| | | | | |
|----------------------|---------------------|-----------|-------------------------------|-----------|
| Customer/Wholesaler: | Date: | Job Name: | Model Specified: 90290 | Quantity: |
| Contractor: | Architect/Engineer: | | | |



PRODUCT COMPLIANCE:
ASME A112.18.1 / CSA B125.1
NSF 61 - Section 9
NSF 372 (Low Lead Content)
2019 DOE PRSV - Class II

| | | | | |
|-----------|-------------|--------------|----------------|--------|
| Drawn: LC | Checked: EM | Approved: LC | Date: 02/15/24 | Sheet: |
|-----------|-------------|--------------|----------------|--------|

SPEC. PRCB-SP-SDTL