

# FISHER

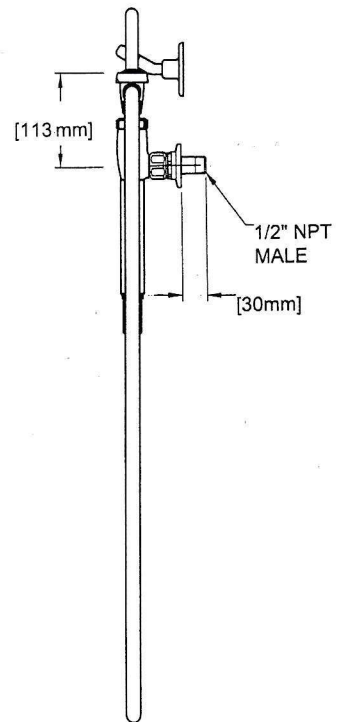
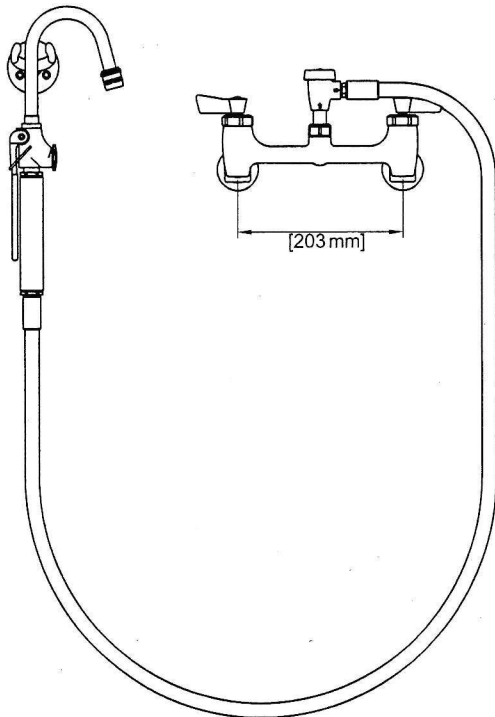
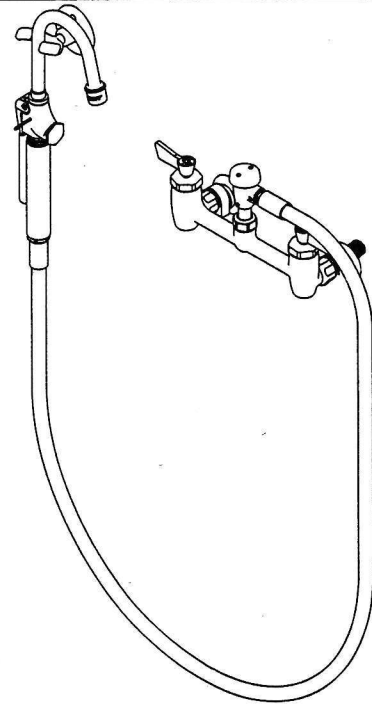
FISHER MANUFACTURING COMPANY TOLL FREE: 800-421-6162 - FAX: 800-832-8238  
customer@fisherfaucets.com - www.fisherfaucets.com

PRODUCT NAME:

ウォール・ケトルフィルター

Customer/Wholesaler:	Date:	Job Name:	Model Specified: <b>22400</b>	Quantity:
----------------------	-------	-----------	-------------------------------	-----------

Contractor:	Architect/Engineer:
-------------	---------------------



**PRODUCT SPECIFICATIONS:**  
8" ADJUSTABLE WALL MOUNT MIXING FAUCET, QUARTER-TURN CERAMIC DISC CARTRIDGES W/ SPRING CHECKS, LEVER HANDLES, 1/4" NPT VACUUM BREAKER, 60" FLEXIBLE STAINLESS STEEL HOSE, POT FILLER WITH FULL FLOW STREAM AERATOR 55/64-27, W/ HOOK & 1/2" NPT FEMALE INLETS

**PRODUCT COMPLIANCE:**  
ASME A112.18.1 / CSA B125.1  
NSF 61 - Section 9  
NSF 372 (Low Lead Content)  
ASSE 1001 (VB)

Drawn: DF	Checked: EM	Approved: DF	Date: 02/19/24	Sheet:
-----------	-------------	--------------	----------------	--------

SPEC: HPCB-SVB-8AWLL