

APPLICATION:

PRODUCT NAME:
8" C/C BACKSPLASH FAUCET

JOB NAME:

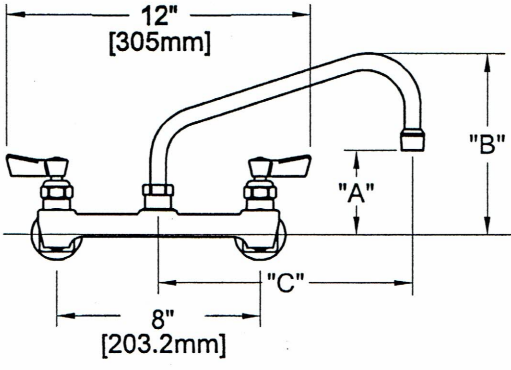
SPECIAL CONFIGURATION
 CHECK BASE MODEL AND OPTIONS

QUANTITY:

ITEM NO.

MODEL:

- 3250 W/ 6" SWING SPOUT
- 3251 W/ 8" SWING SPOUT
- 3252 W/ 10" SWING SPOUT
- 3253 W/ 12" SWING SPOUT
- 3254 W/ 14" SWING SPOUT



MODEL	DIM "A"	DIM "B"	DIM "C"
3250	2-1/4" [57.2mm]	5-7/8" [149.2mm]	6" [152.4mm]
3251	2-1/2" [63.5mm]	6-3/8" [161.9mm]	8" [203.2mm]
3252	3-1/8" [79.4mm]	6-7/8" [174.6mm]	10" [254.0mm]
3253	3-3/4" [95.3mm]	7-3/8" [187.3mm]	12" [304.8mm]
3254	4-3/8" [111.1mm]	8-1/4" [209.6mm]	14" [355.6mm]

OPTIONS OR MODIFICATIONS:

- SUPPLY LINES (24" OR 36") CIRCLE LENGTH
- DJ SUB-ASSY (7-1/4" OR 13") CIRCLE LENGTH
- ELBOWS
- VANDAL RESISTANT KIT
- HANDLES (CROSS OR WRIST) CIRCLE STYLE
- OTHER _____

FEATURES

CONTROL VALVE

- * 8" C/C BACKSPLASH MOUNT
- * SWIVELLING SEAT DISKS
- * HOT SIDE STEM - RIGHT HAND
- * COLD SIDE STEM - LEFT HAND
- * STAINLESS STEEL SEATS
- * STAINLESS STEEL SEAT SCREWS
- * STAINLESS STEEL HANDLE SCREWS
- * 1/2" SLIP JOINT

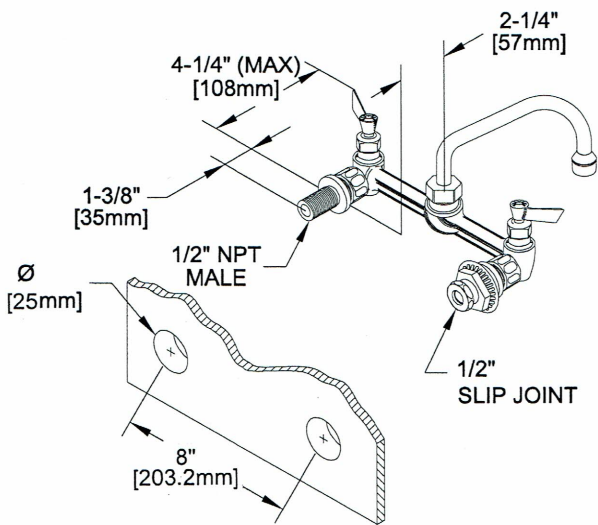
SYSTEM LIMITS

- * TEMP: 40°F MIN. TO 140°F MAX.
- * PRESSURE: 200 PSI MAX. STATIC
- * 2.20 GPM AT 80 PSI

SHIPPING WEIGHT

- * 5.0 LBS

ROUGH-IN:



ANSI/A112.18.1M

FISHER
 FISHER MANUFACTURING COMPANY
 TOLL FREE: 800-421-6162 - FAX: 800-832-8238
 information@fisher-mfg.com - www.fisher-mfg.com