

# FISHER<sup>®</sup>

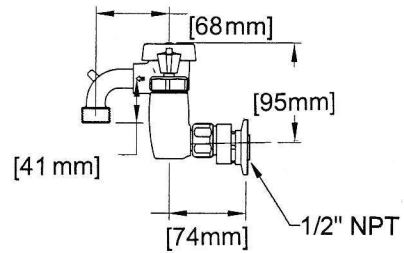
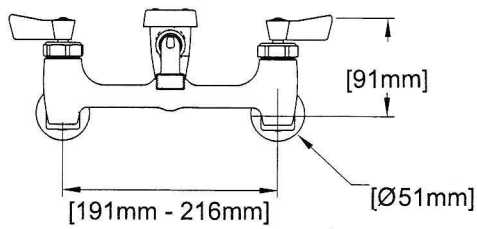
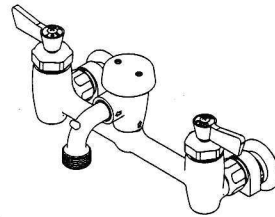
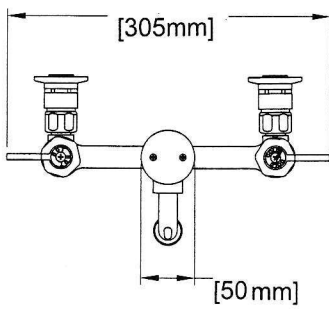
FISHER MANUFACTURING COMPANY TOLL FREE: 800-421-6162 - FAX: 800-832-8238  
customer@fisherfaucets.com - www.fisherfaucets.com

PRODUCT NAME:

モップシンク・フォーセット

SPEC. FACB-SSS-8AWLL

Customer/Wholesaler:	Date:	Job Name:	Model Specified: <b>24450</b>	Quantity:
Contractor:	Architect/Engineer:			



PRODUCT COMPLIANCE:  
ASME A112.18.1 / CSA B125.1  
NSF 61 - Section 9  
NSF 372 (Low Lead Content)

Drawn: DF	Checked: EM	Approved: DF	Date: 10/16/23	Sheet:
-----------	-------------	--------------	----------------	--------